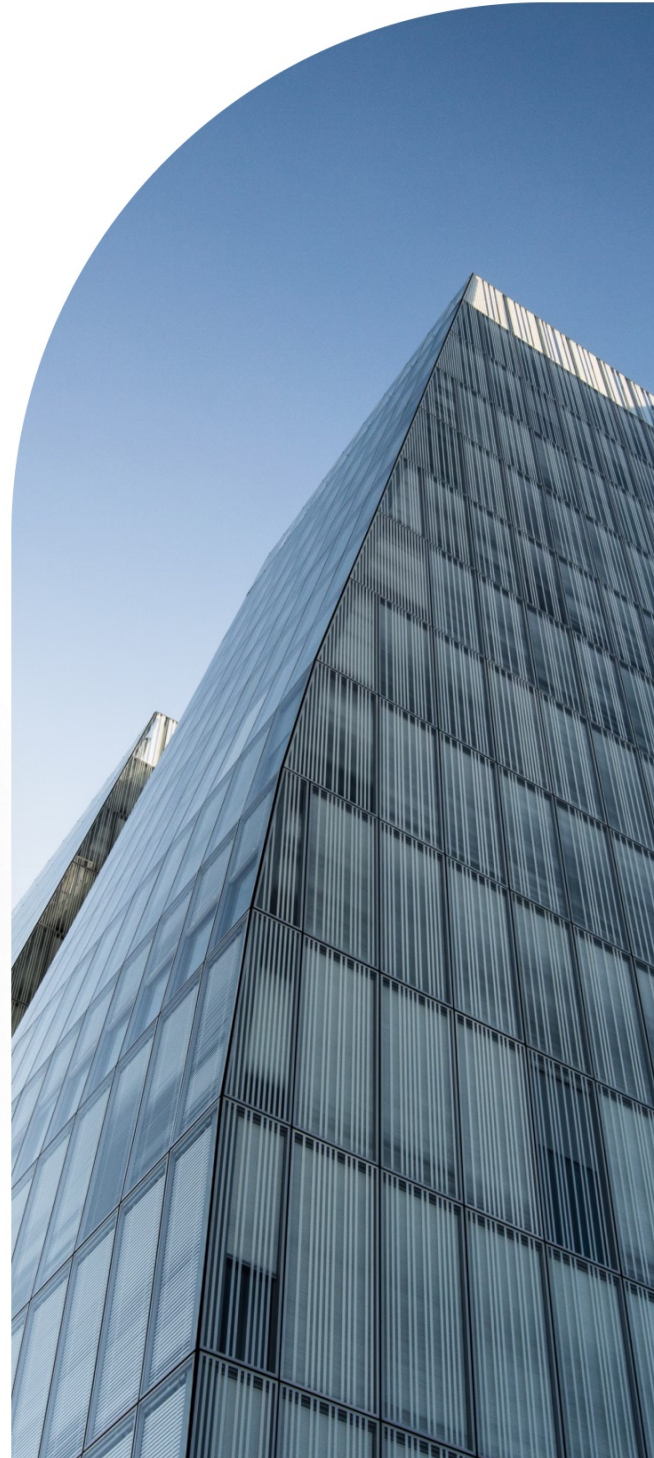


Eddy Link

 Spec sheet



Eddy Link

Wireless environment

- Utilizes **LoRaWAN** for extremely long range and low-power operation
- High-efficiency **internal antenna**
- Designed for **915MHz (NA)**

Battery / power

- 5V USB Micro jack for up to DN50 (2") valve actuation, or 24V DC auxiliary jack for up to DN450 (18") valve actuation
- LiPo Internal backup battery

Key benefits

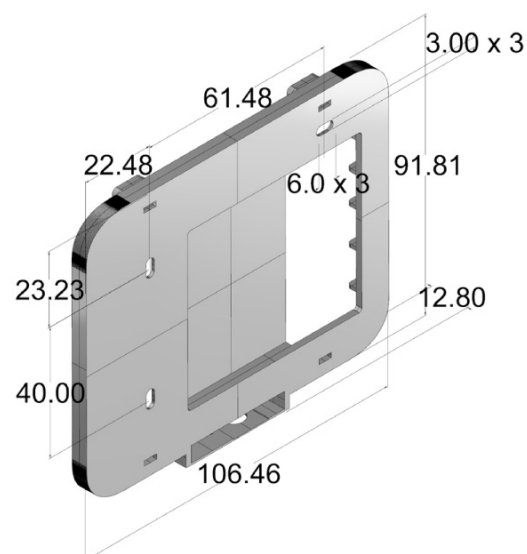
- **Leak Detection and Alerting**
- Odometer and Volumetric Flow Consumption Data (Flow and Usage)
- Integration with **Your Eddy Solutions Technology**
- Integration with Existing Infrastructure
- Can be used in Meter and Valve, Valve Only or Meter Only Configuration

Certification

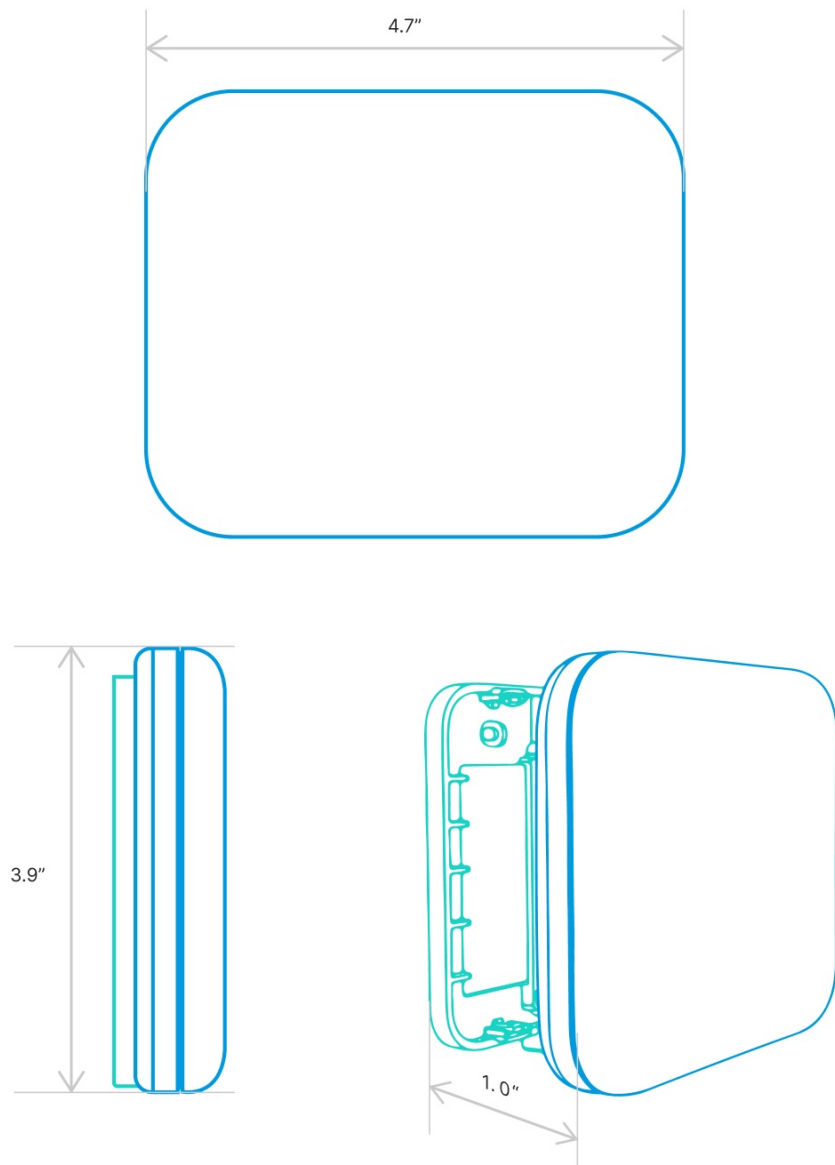
- FCC

Technical features

- **Valve Control**
 - 5-wire control (FWD, REV, OPEN, CLOSE, GND) to connect with off-the-shelf valves
 - 4-wire control to connect with Belimo Valves
- **LoRaWAN Connectivity** – Connectivity to LoRaWAN network
- **AWWA UI-1203 Reader** – Connects meters which supports the "Sensus" protocol for reading the odometer. These include Sensus, Neptune, Badger & Mueller
- **Pressure Transmitter** – Connect Pressure Transmitters that support a milliamp (4 to 20 milliamp) output signal type
- **Support** – Single metering, single valve control, or metering and valve control together



Eddy Link



Dimensions	Unit	Control unit	Mounting plate
Width	inch	4.7	4.2
Height	inch	3.9	3.6
Depth	inch	1.0	0.5

How to Get Started

Designing the right leak-protection system for your building is quick and straightforward.

1 Send us your building details. A few parameters—size, asset type, water systems—let us draft an accurate solution.

2 Book a 20-minute discovery call. We'll discuss your risk areas, goals, and timeline, and answer any questions.

3 Receive a tailored protection plan. Get a detailed system design, budget, and ROI snapshot—ready for budget approval.



to set up a call to learn more

SCAN OR CLICK



to see our service in action

125k+

Devices protecting buildings in operation and under construction

2,761

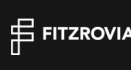
Leak alerts resolved in occupied properties every year

\$36M+

Saved annually through avoided damage and lower insurance premiums



Insurance Reinsurance



Protect your building from water damage with Eddy

Ready to begin? Share your building details and schedule your call today.

Contact us

